

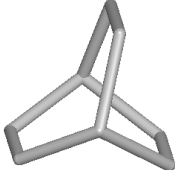
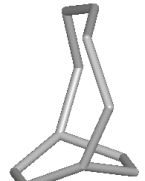
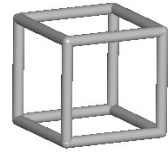
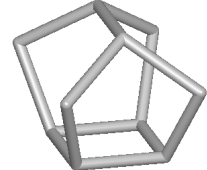
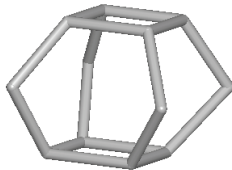





ITR *Cmcm*

$$6[6^3]+2[6.9^2]+3[4.5^2.6^2]+[4^6]+2[4^2.6^4]+[4.5^6]+2[4.5.6.9.10^3]+[5^6.9^2]+[4^2.6^4.10^2]$$

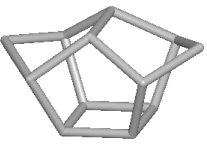
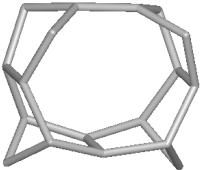

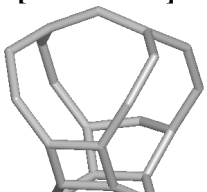




9 20 22 11

TILES

Face symbol:

	$[6^3]$	$[6.9^2]$	$[4^6]$	$[4.5^2.6^2]$	$[4^2.6^4]$
					
V, E, F:	(8, 9, 3)	(11, 12, 3)	(8, 12, 6)	(10, 13, 5)	(12, 16, 6)
Symmetry:	$m.., 1$	$m..$	$2/m..$	$m2m, ..m$	$m..$
Wyckoff:	$8f, 16h$	$8f$	$4b$	$4c, 8g$	$8f$
Label:	t-kah 	t-thj* 	t-cub 	t-mel 	t-lau 

Face symbol:

	$[4.5^6]$	$[5^6.9^2]$	$[4^2.6^4.10^2]$	$[4.5.6.9.10^3]$
				
V, E, F:	(12, 17, 7)	(18, 24, 8)	(20, 26, 8)	(22, 27, 7)
Symmetry:	$m2m$	$m2m$	$2/m..$	$m..$
Wyckoff:	$4c$	$4c$	$4a$	$8f$
Label:	t-nuh 	t-ith-1* 	t-fft 	t-ittr* 

TILING

